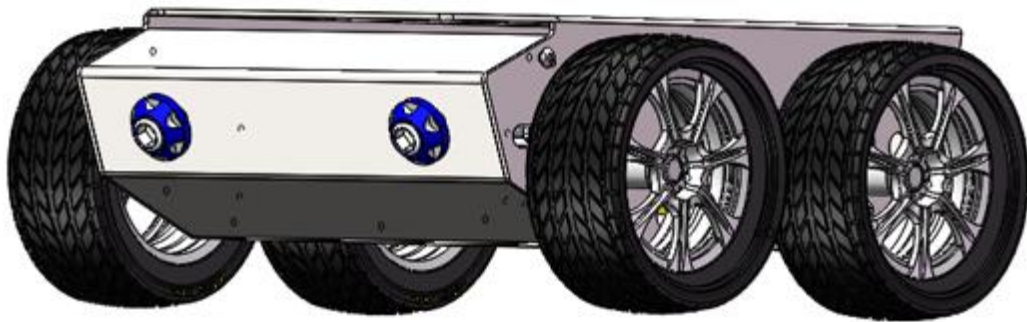


# Keenlon Iron Man-1 Indoor 4WD

## Installation Guide Revision 1.0



**Safety first!** Wear eye protection and never touch a powered robot!

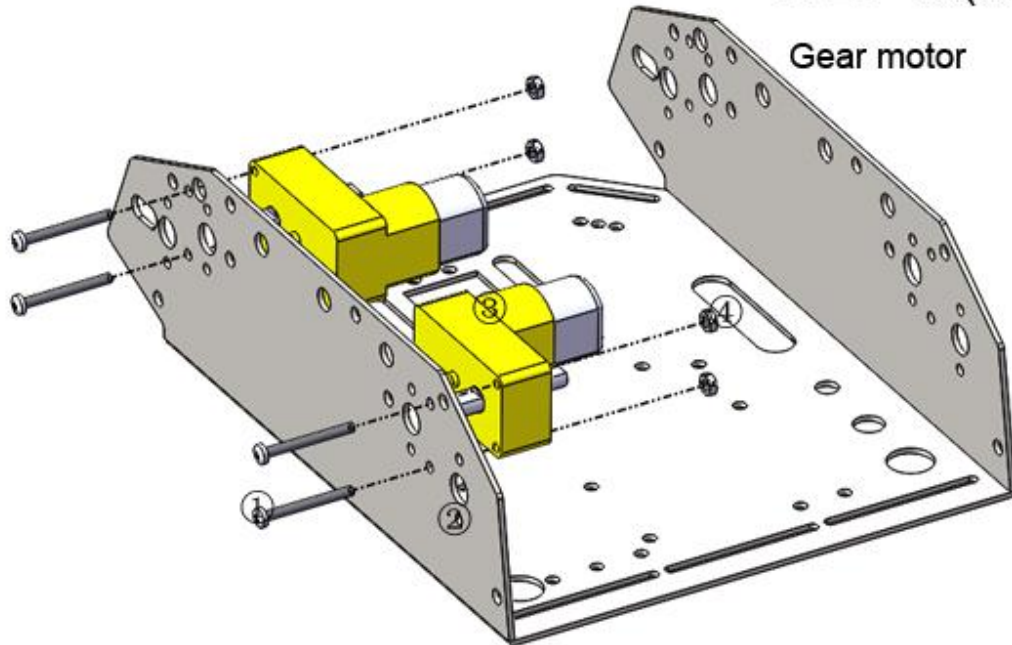
**Warning!** Chassis is made of stainless steel with sharp edges, be careful!

Design & Executive      Shanghai Keenlon Hi-Tech Co., Ltd.

Service                      Techsupport@keenlon.com

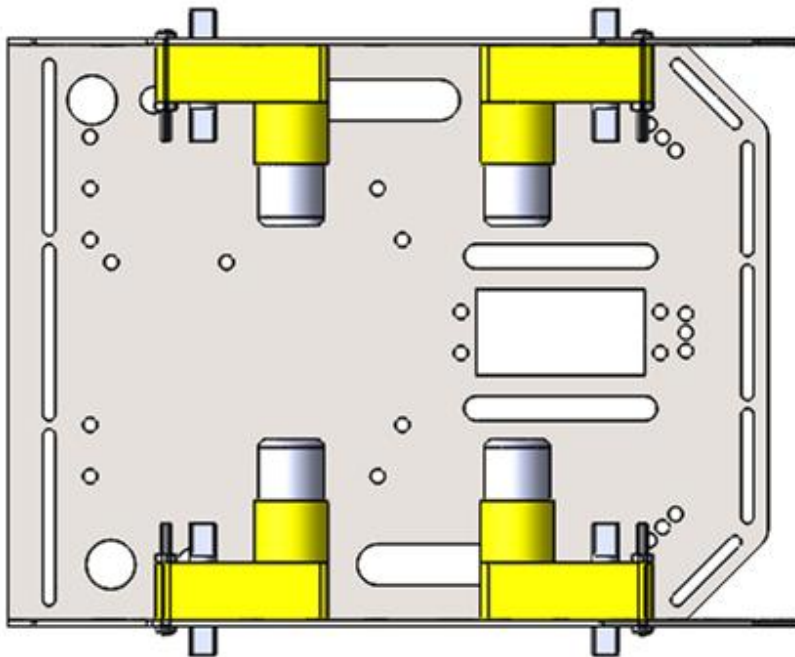
Website                      www.keenlon.com

## STEP 1A(2X)



- (4X) M2.5\*25mm screws ①
- (1X) Top cover ②
- (2X) Gear motor ③
- (4X) M2.5 nuts ④

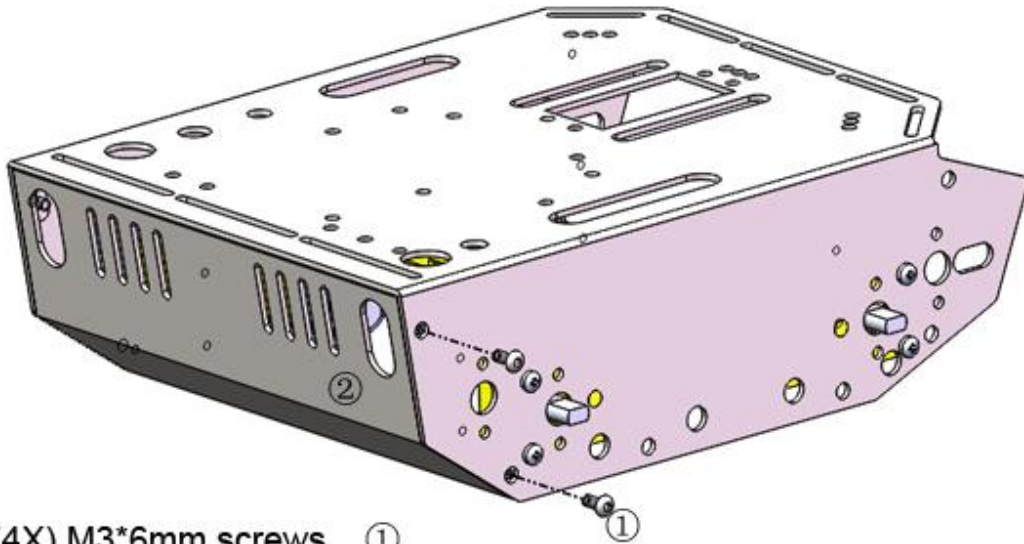
## STEP 1B



Top view

## STEP 2A(2X)

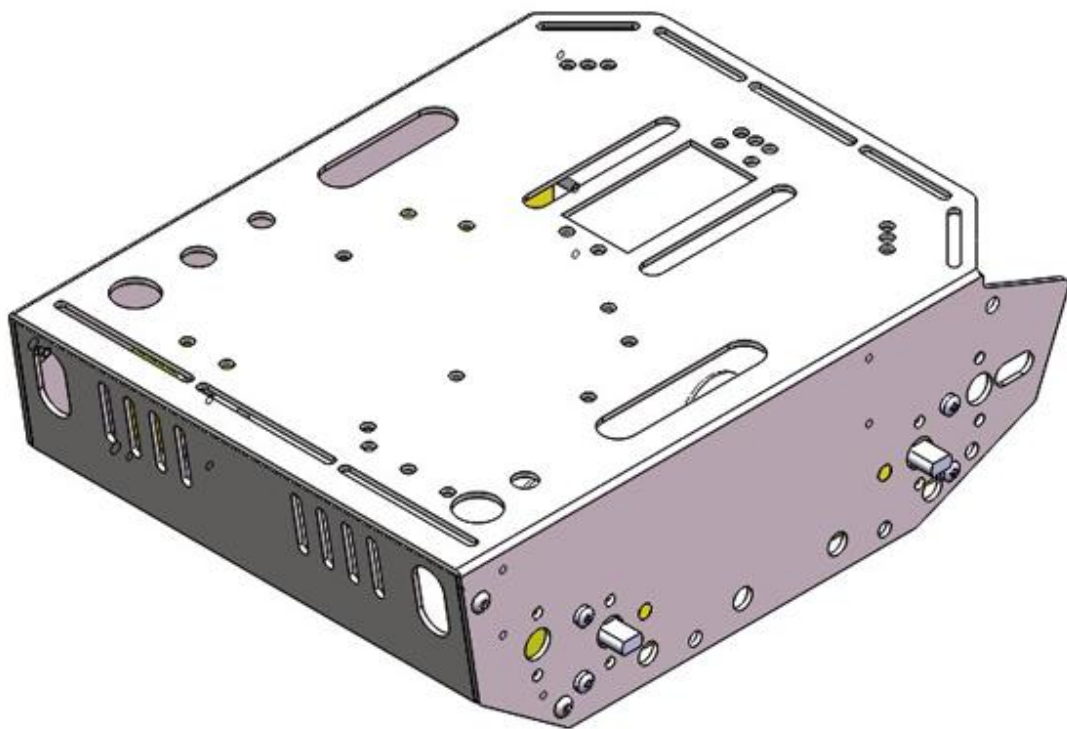
Back cover



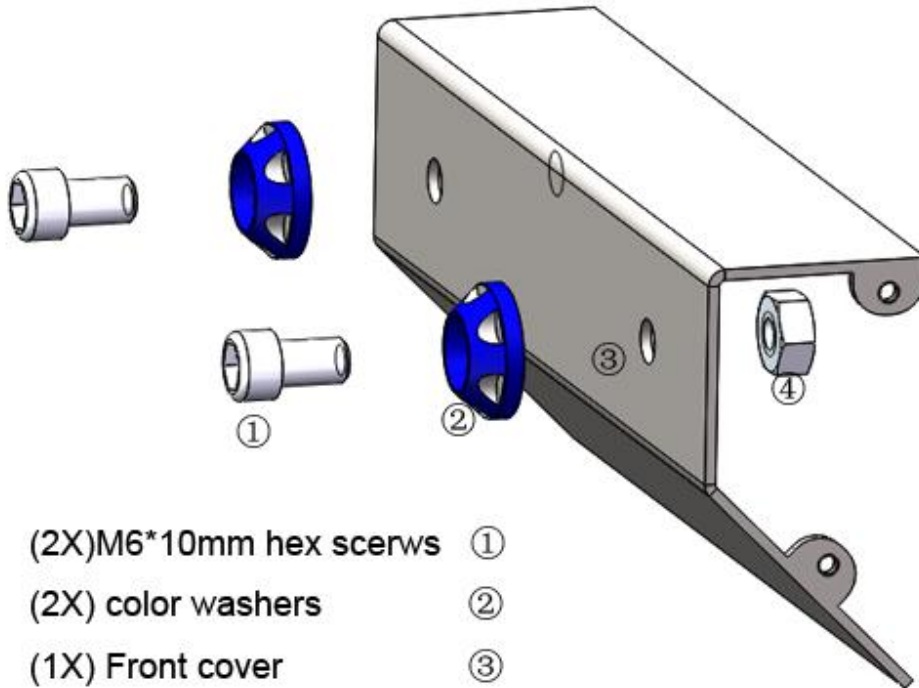
(4X) M3\*6mm screws ①

(1X)Back cover ②

## STEP 2B

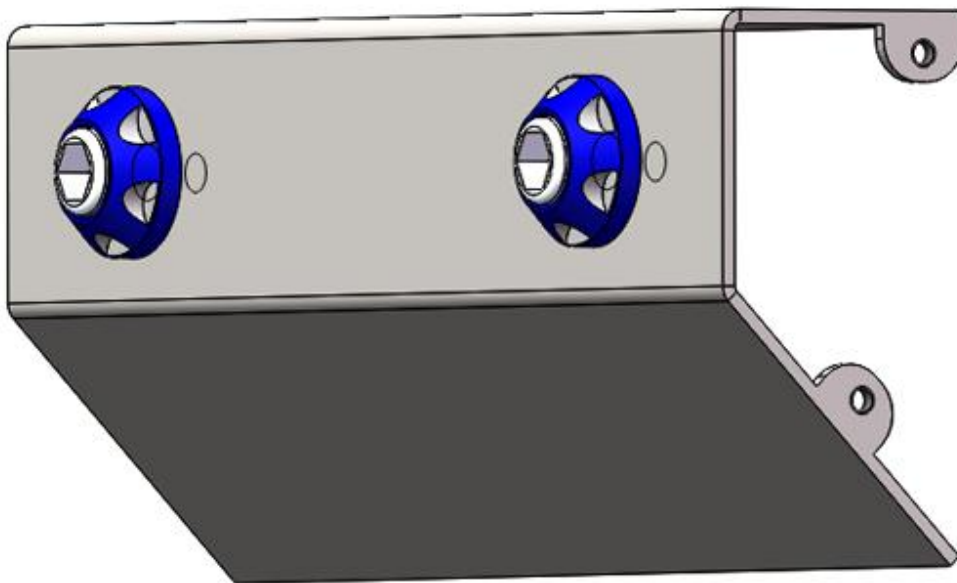


### STEP 3A



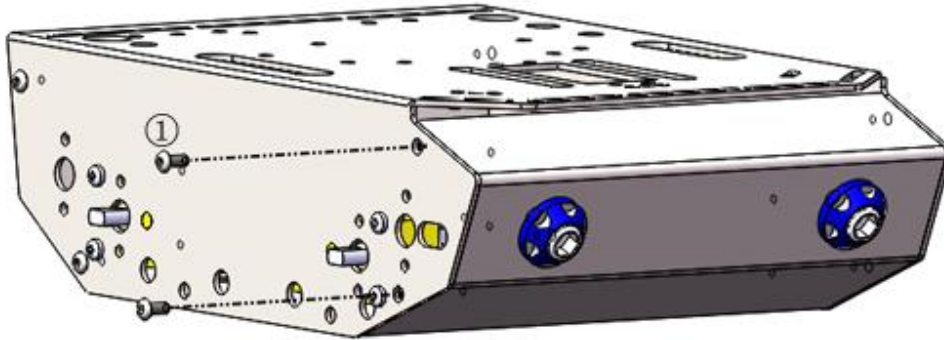
- (2X) M6\*10mm hex screws ①
- (2X) color washers ②
- (1X) Front cover ③
- (2X) M6 lock nuts ④

### STEP 8B



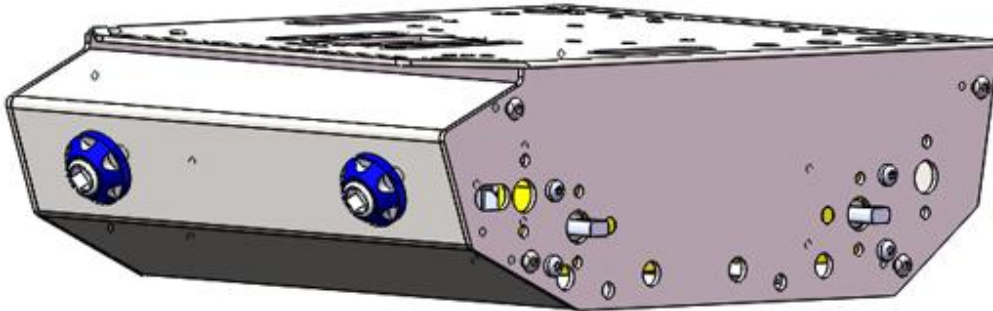
## STEP 4A(2X)

Front cover

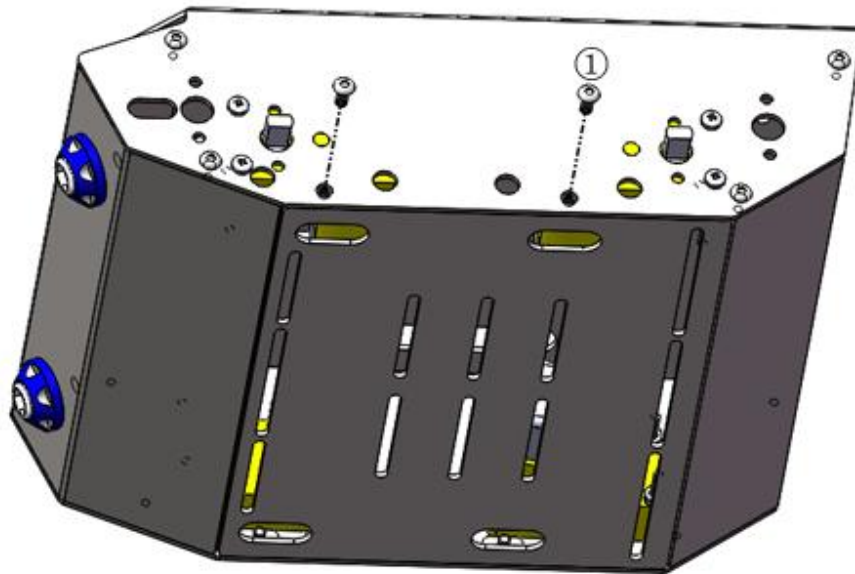


(2X) M3\*6mm hex screws ①

## STEP 4B

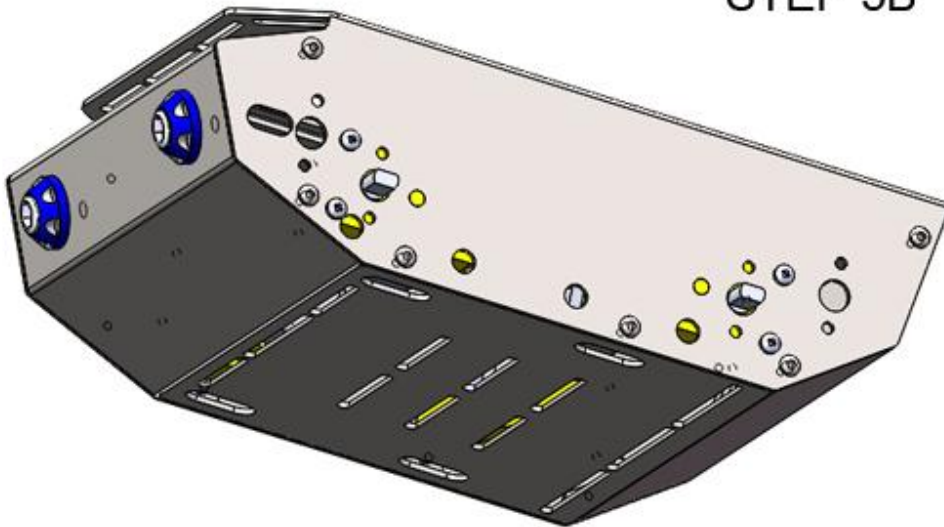


## STEP 5A(2X)



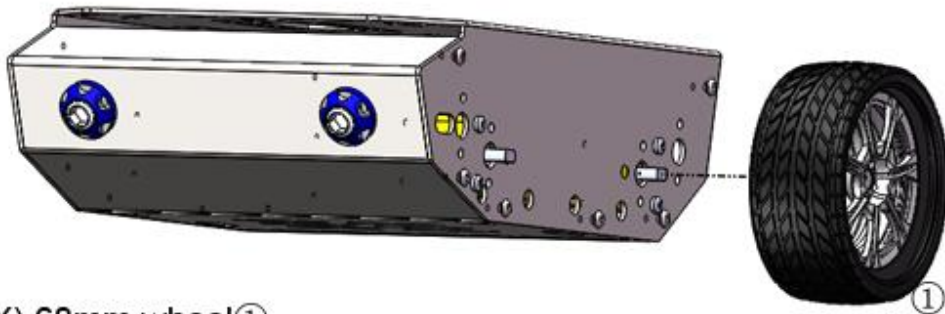
(2X) M3\*6mm hex screws①

## STEP 5B



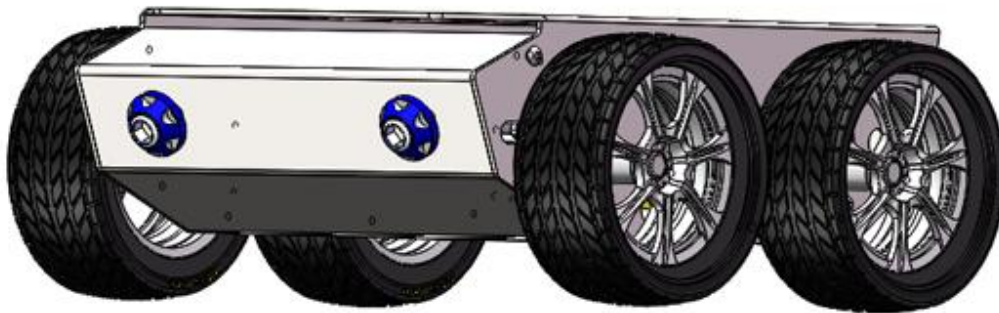


## STEP 6A(4X)

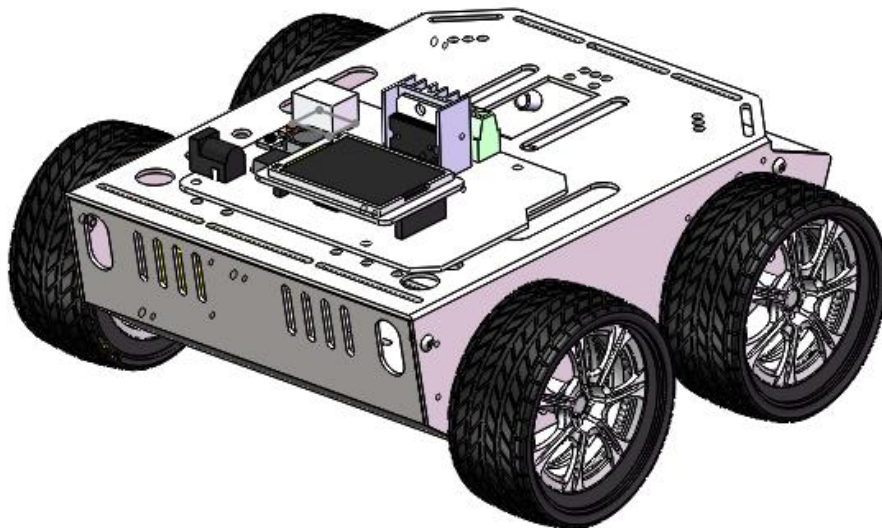
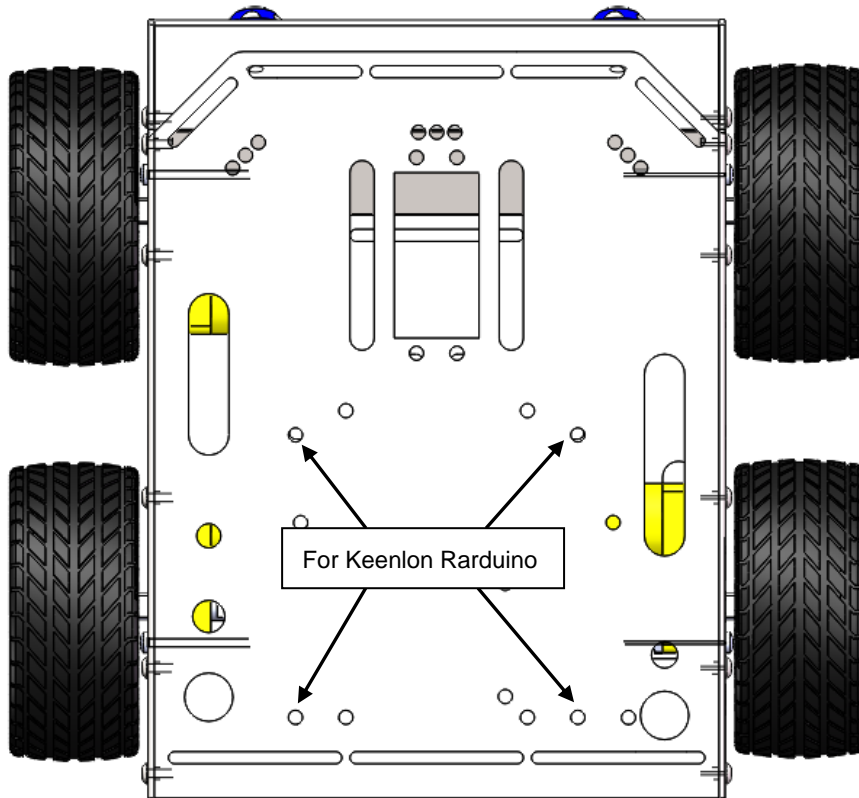


(1X) 68mm wheel①

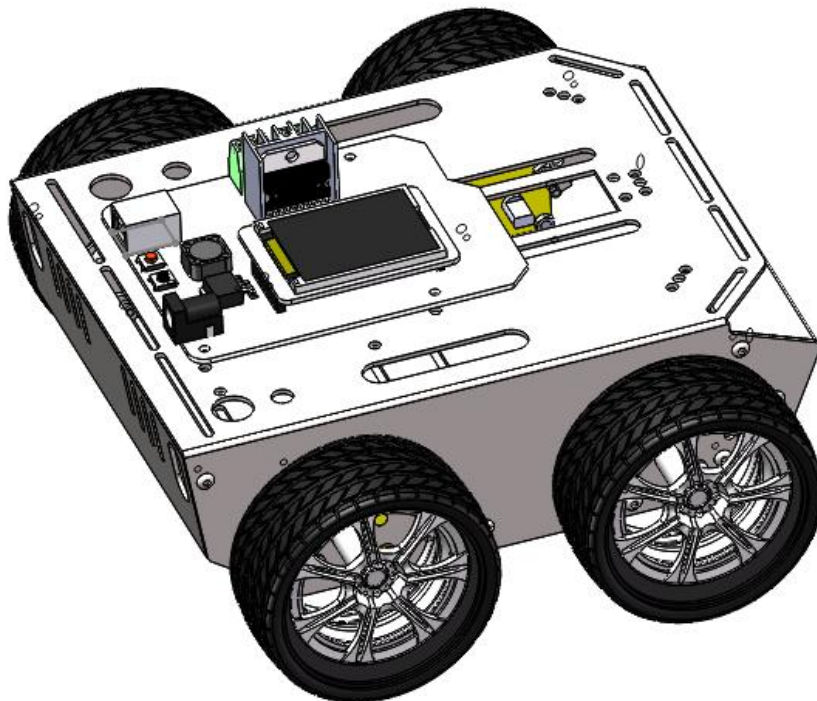
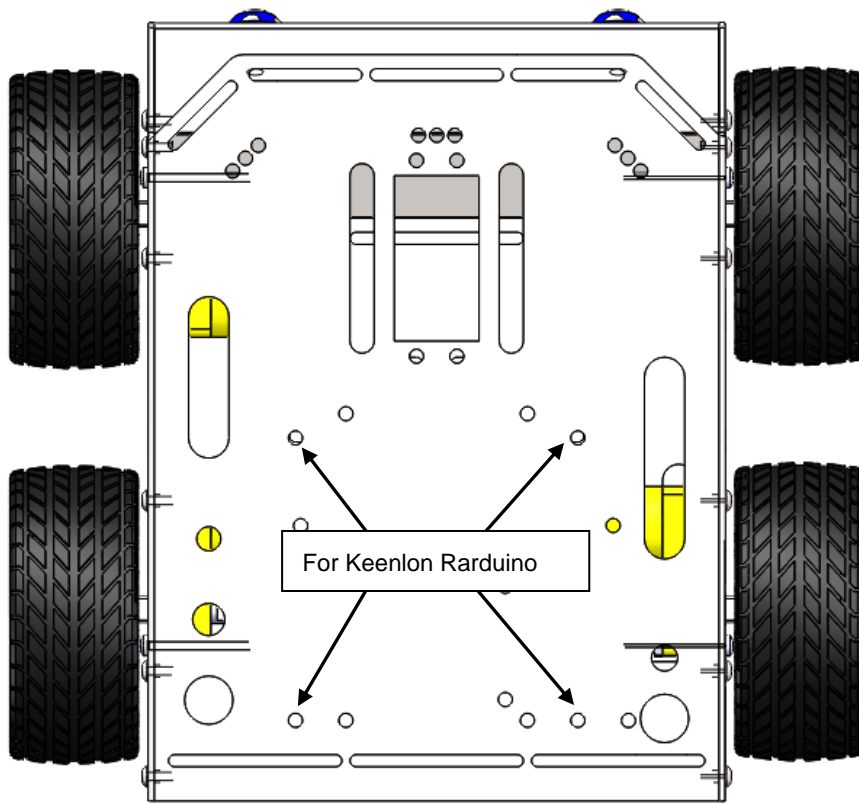
## STEP 6B

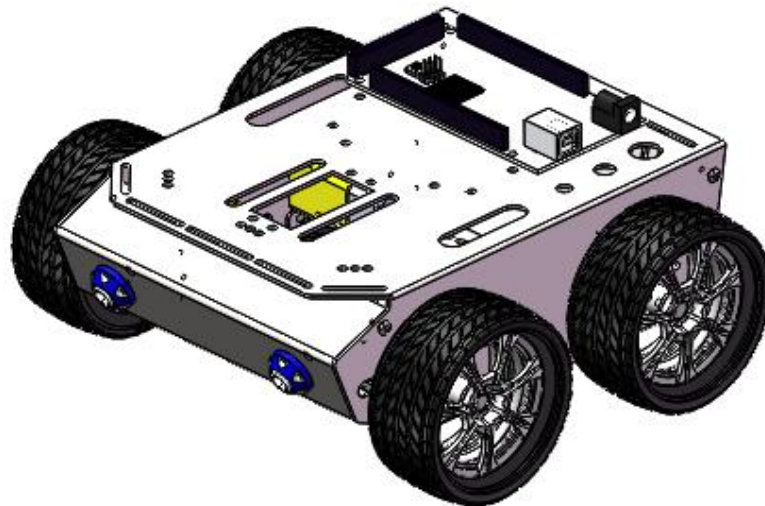
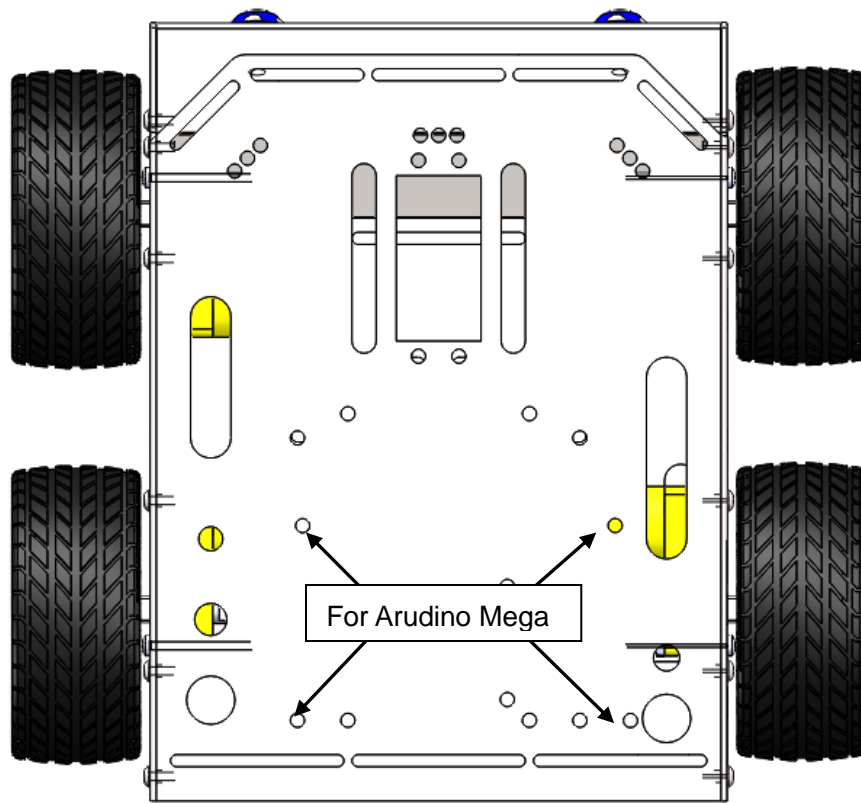


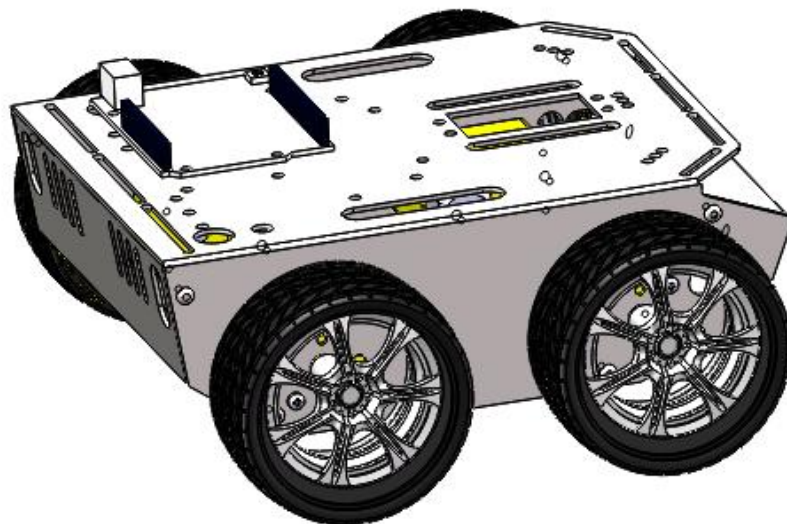
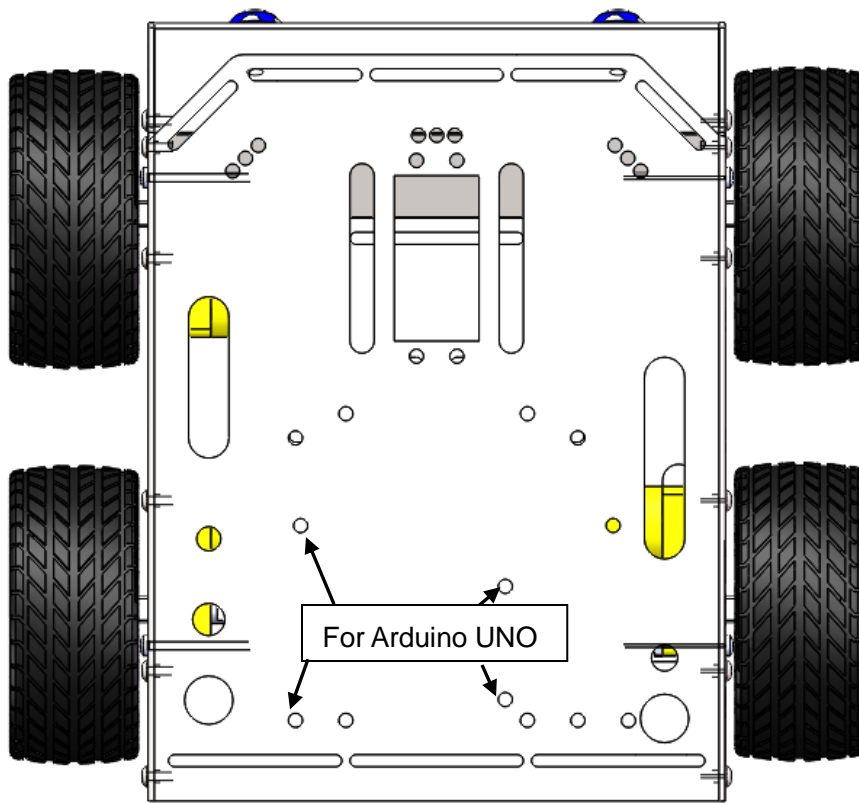
# Electronic Devices Setup Guide

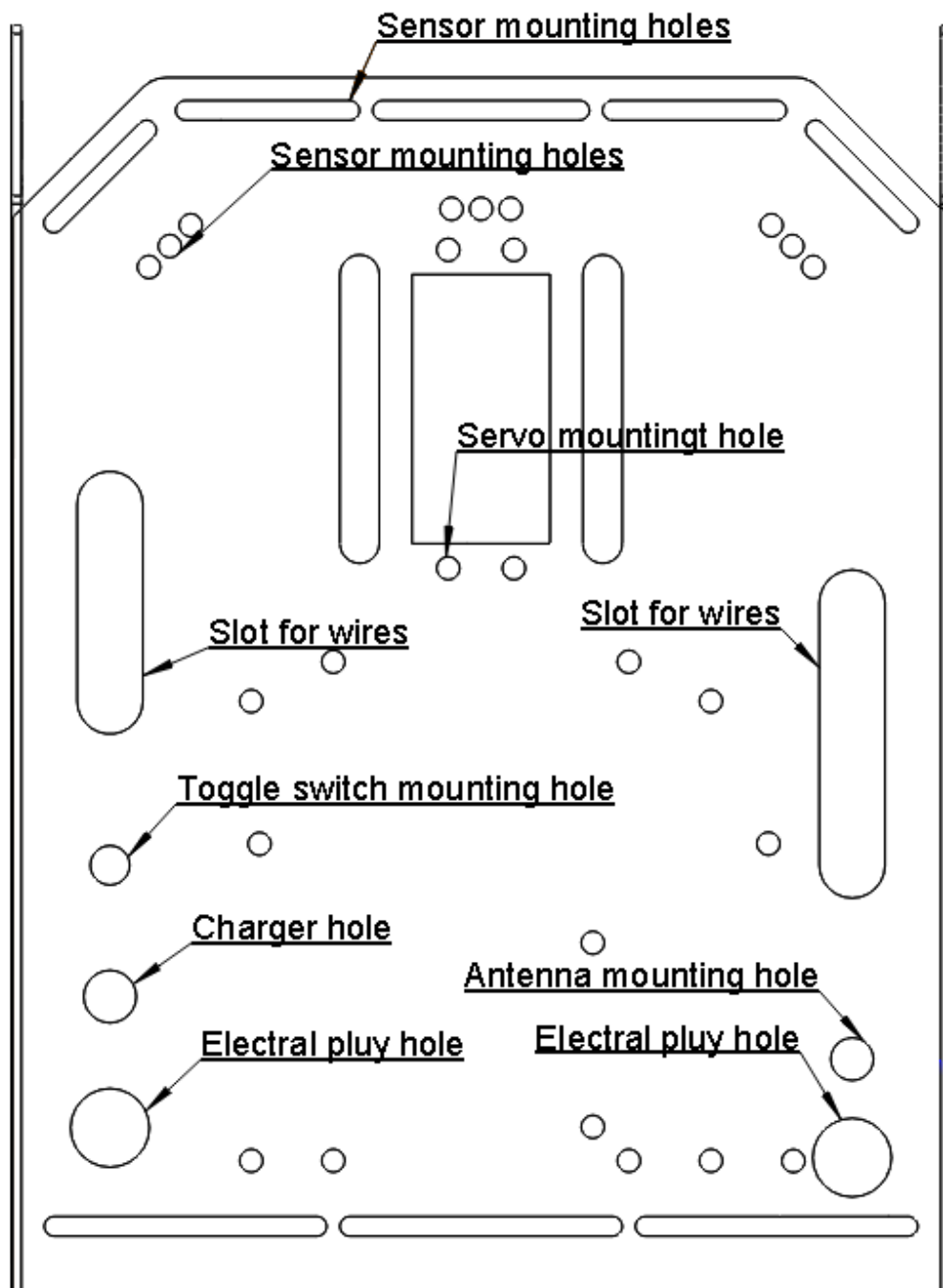












## HOLES

